

EconoLite




User guide


Copyright © 2025 by Parity Medical.

All rights reserved. No part of this publication may be reproduced, distributed, or transmitted in any form or by any means, including photocopying, recording, or other electronic or mechanical methods, without the prior written permission of Parity Medical. For permission requests, write to Parity Medical at the address below.

Parity Medical, Port Causeway, Wirral International Business Park, Bromborough, Wirral, CH62 4TP, United Kingdom

Other questions? Contact us at:

 +44 (0)151 343 0500

 enquiries@paritymedical.com

Thank you for choosing to buy a Parity Medical cart!

This cart is intended to mobilise clinical information access to bring it to the point of care, wherever and whenever that may be. It was designed for use by medical practitioners and relevant administrative support staff; it should not be used by patients or anyone who has a health condition or disability which would impede their ability to manoeuvre or operate it safely.

This user guide is for users of the cart and instructs how to safely operate the cart, explaining the basic functions, adjustments, troubleshooting, and maintenance procedures to be performed by the user. Various parts of the cart are discussed by means of text, illustrations, photographs, and standard terms.

Parity Medical is dedicated to ensuring the safety, comfort, and convenience of the users as well as the patients under their care. All users should familiarise themselves with the contents of this user guide before operating the cart and store this document in a location where it can be referred to whenever necessary.

As well as this user guide, users are encouraged to review and follow the advice in our Cart Maintenance & Lifecycle Guidance document, which helps to maintain optimal performance and extend the working life of the cart. The document can be provided by your Parity Medical Account Manager upon request.



Each cart undergoes a thorough quality control inspection prior to despatch, including Portable Appliance Testing (PAT). A PAT label is not applied to the cart, as customers typically install their own equipment such as PCs, scanners and peripherals after delivery. Once the cart has been fully configured, the complete solution should be re-tested by the appropriate personnel on site.

From time to time, we may need to change components, which may incur design updates as well as updates to this user guide. The latest version of this document is always accessible at <https://www.paritymedical.com/carts/econolite-cart-2.html>.

Symbols

Regulatory agencies for health products require the use of symbols, often in place of textual statements, to improve the conspicuousness of required information, such as important safety information.

The symbols used in this guide and on the cart are described below. Be sure to observe the instructions indicated by each symbol to ensure the safe use of your Parity Medical cart.

Symbol	Description
	Indicates instructions to prevent a potentially hazardous situation that may result in injury or equipment damage.
	A reminder that the user should read the user guide before starting work or operating the equipment.

Revision history

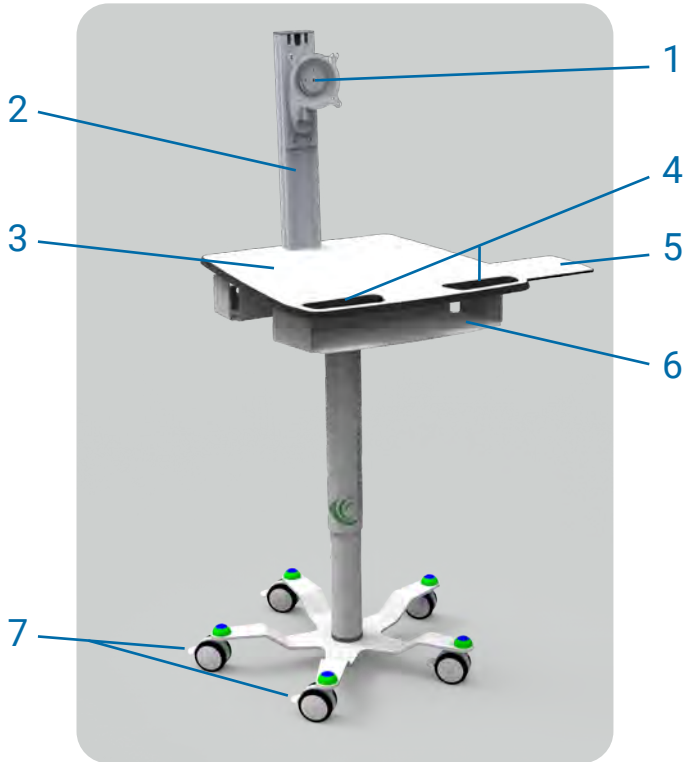
Each page of the user guide provided with your cart has a revision letter on it in the document header. As the document is updated, the revision number is changed.

Version	Date	Comments
1.0	10 th December 2024	Original version
1.1	16 th December 2024	Updated weights and dimensions in specifications section
1.2	8 th April 2025	AC Cable information added, QC information added, images updated
1.3	13 th November 2025	Overstretch of mains cables warning added
1.4	26 th May 2026	Lifecycle guidance reference added

Contents

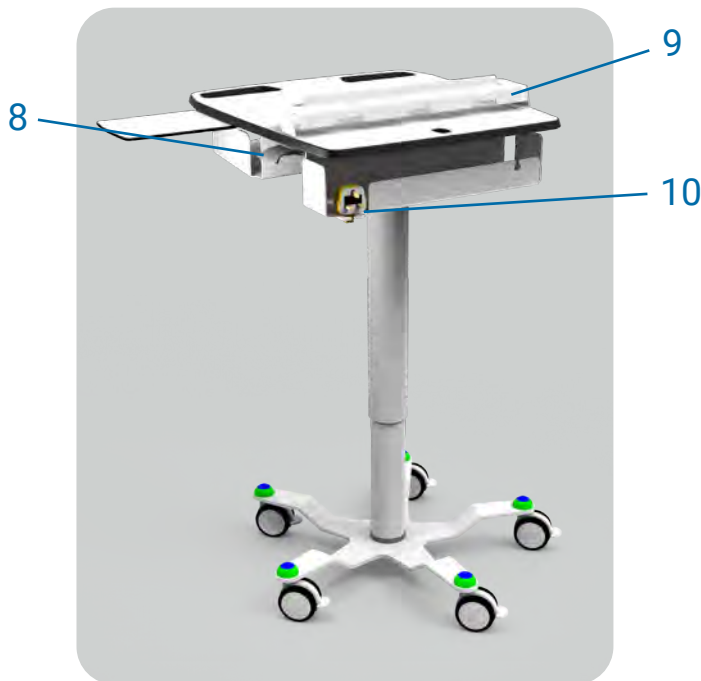
- Cart structure 6
- Cart features and instructions 7
 - Rotate and adjust monitor (specification dependent) 7
 - Setting up your laptop (specification dependent) 7
 - Manoeuvring the cart 8
 - Height adjustment 9
 - Accessory mounts (specification dependent) 9
 - Slide-out mouse tray 10
 - File storage 10
 - Charging batteries 11
 - Serial number location 11
 - Cleaning the cart 12
 - Approved cart cleaning solutions 13
- Health and safety 14
 - Overstretch of mains cables 15
- Customer support 15
- Cart warranty and specifications 16
 - Cart warranty information 16
 - Cart specifications 16
 - Weight capacities 16
 - Electrical specifications 16

Cart structure



Legend:

1. VESA mount (micro PC* or all-in-one PC configuration only)
2. Monitor mast (micro PC* or all-in-one PC configuration only)
3. Work surface
4. Steering handles
5. Slide-out mouse tray
6. Storage shelf
7. Locking wheels
8. Height adjustment lever
9. Laptop bracket (laptop* configuration only)
10. Charging plug and cradle (breakaway cable not shown)



**Note: As of 2025, this cart is sold exclusively for use with all-on-one PCs.*

Support for micro PC and laptop configurations is only available on legacy carts sold prior to 2025.

The terms highlighted above will be shown in **bold** throughout this document to help you understand how each feature is intended to be used.

Cart features and instructions

Rotate and adjust monitor (specification dependent)

PC monitors and all-in-one PCs are mounted to the cart with a **VESA mount**. If your cart has **monitor mast** rotation and/or swivel features, you can swivel the monitor up and down, left and right, or rotate it between landscape and portrait formats. Simply hold the monitor firmly in both hands and adjust the position as needed. You can also raise and lower the monitor height on the mast.



Setting up your laptop (specification dependent)

The cart is fitted with a bar-style **laptop bracket** that will fit most laptops. If you need to open the brackets to add/remove a laptop, locate the metal nuts below the work surface. Use the PM-SECNUTTOOL, which was provided with your cart, to unlock the nuts, add/remove the laptop and secure the brackets in place by tightening the nuts, as required. Pass the power supply cables through the hole in the rear of the **work surface** power supply tray below the rear of the **work surface**. Place your power supply into the tray, then plug it into the provided power connections for the cart.



Manoeuvring the cart



Unplug the cart before moving! There is a risk of injury if the cart is moved when the cart is plugged in at the wall.



For safety, the cart should always be lowered to its lowest position when being moved between hospital areas (e.g., when moving over door thresholds or travelling between floors in a lift). The height adjustment lever is on the right-hand side of the cart.

If you have a screen mounted to the monitor mast, ensure that the screen is centred (not rotated to the side) and lowered to its lowest position to avoid accidental damage during transit.

The slide-out mouse tray should also be stowed before moving.

Use the **steering handles** to push the cart to a new location—you will need to use both hands to move/steer it. Do not pull the cart behind or to the side of you.

Once the user is happy with the cart's location and position, the **brakes** should be applied to avoid further movement whilst the cart is in use. To lock the brakes, press down on the levers on the **locking wheels**. To unlock, simply lift the levers up. Ensure that the wheels are unlocked before moving the cart.

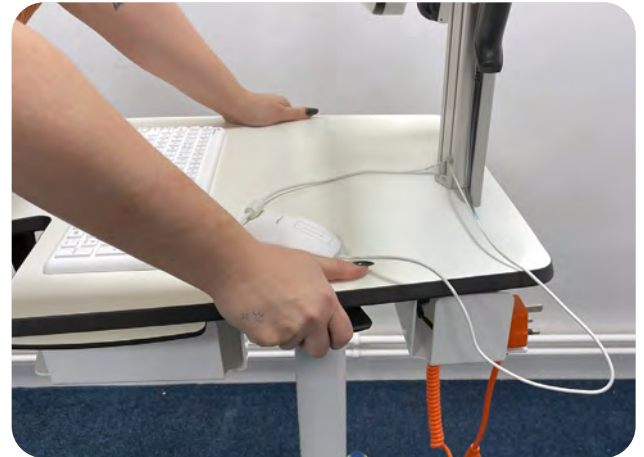


Height adjustment



Before using the cart's height adjustment lever, ensure that no objects, furniture or cables could prevent its ability to travel up or down.

You'll find the cart's **height adjustment lever** on the right hand side of the **work surface**. Simply lift the lever on the right-hand side of the cart and grip the left-hand side of the workstation to raise or lower the cart.



Accessory mounts (specification dependent)

The cart can be fitted with barcode scanners and label printers, if required. The accessories can be fitted to the **monitor mast** or placed towards the back of the **work surface**.



Slide-out mouse tray



The slide-out mouse tray is designed to provide additional space for mouse usage. There is a risk of injury or damage if heavy weight or force is applied to this tray.

The cart features a **slide-out mouse tray**, which can be deployed on the left- or right-hand side of the cart. Simply grip the edge of the tray and gently pull the tray out to extend it for use.

When not in use or when moving the cart between different locations, stow the mouse tray to prevent accidental damage.

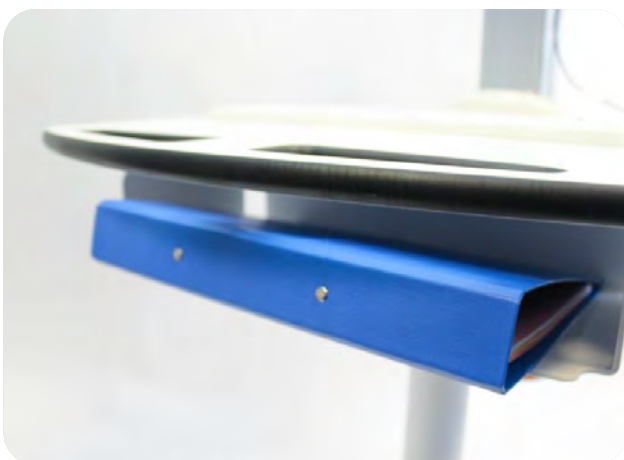


File storage



The storage shelf is designed to provide additional space for paperwork. There is a risk of injury or damage if heavy weight or force is applied to this shelf.

A **storage shelf** is provided underneath the **work surface** of your cart for storing paperwork and essential supplies.

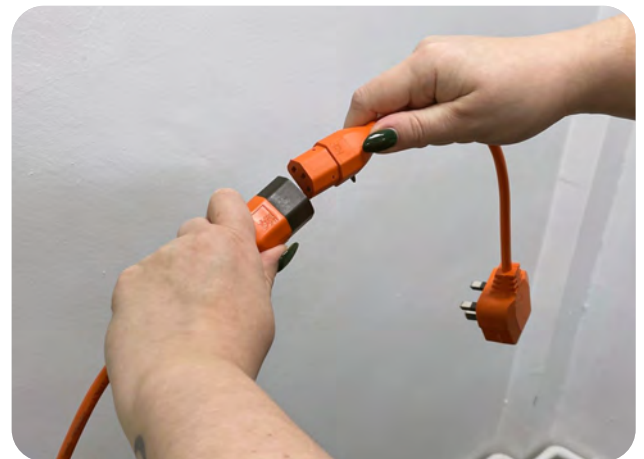


Charging batteries

The cart comes with a **charging plug** to allow users to charge their laptops or all-in-one PC hot swappable batteries as needed.

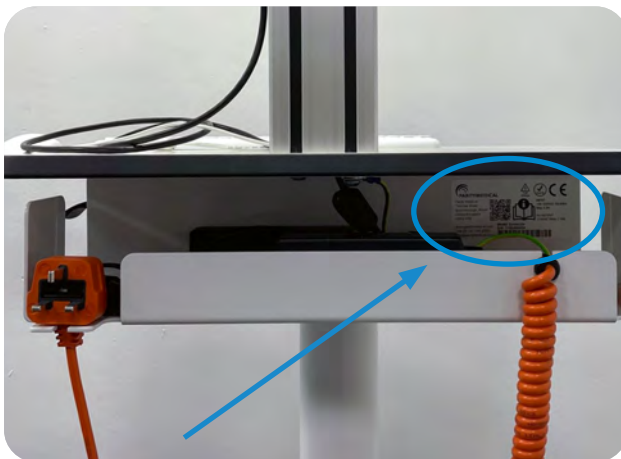
To charge, unhook the orange **charging plug** from the **cradle** at the rear of the cart, plug in and switch on the power. We've installed the cart with a **breakaway cable** to avoid the risk of damage to equipment if someone accidentally moves the cart whilst it's plugged in. Once charged, stow the plug back in its cradle to reduce tripping hazards.

For a faster charge time, we recommend devices are powered-down while charging the battery.



Serial number location

The cart's serial number label is located on the back of the cart, underneath the **work surface**. The label contains the model code (EconoLite) and the serial number. You will need this information to contact our customer services team to report an issue or check the warranty status of your cart.



Cleaning the cart

1. Disconnect the cart from any AC outlet before cleaning.
2. Spray the cleaning solution onto the cloth—not directly onto the cart.
3. Clear the main work surface of any loose items and wipe the surface, including handles and the monitor mast or laptop bracket. Clean your monitor.
4. If your cart has accessories mounted, remove all items and wipe down the mounting brackets.
5. Extend the slide-out mouse tray and clean the tray.
6. Clean the interior and exterior of the storage shelf.
7. Clean the height-adjustment lever. Be careful not to damage the lever or the mechanism connecting it to the cart.
8. Wipe down the white, top portion of the adjustable leg. Do not clean the static section of the leg.
9. Clean the cart base and wheels.



Approved cart cleaning solutions

- Quaternary ammonium chloride compounds (such as AirX109)
- Bleach-Household strength (1:10 minimum dilution strength)
- Ethyl or Isopropyl alcohol- 70%
- Hydrogen Peroxide
- Phenolic disinfectants (such as Lysol, WexCide)
- Ovation
- Fantastik
- Formula 409
- 1.6% Aqueous Ammonia "Green Soap" USP (United States Pharmacopoeia)
- Clinell Wipes

Health and safety



There is a risk of injury if the cart is moved whilst the cable is plugged in at the wall. Always unplug before moving.



If any of the following situations arises, immediately discontinue use and contact your IT department.

- The power cord or plug is damaged.
- The equipment does not work well or if you cannot get it to work after consulting the user manual.
- The cart has been dropped or damaged.
- The cart has obvious signs of breakage.
- Grinding noises from the cart leg or difficulty using the height adjustment mechanism.

If your IT department is unable to resolve the issue, contact Parity Medical's customer service team on +44 (0)151 343 0500 (option 2) for further assistance.

Please note the following instructions for the health and safety of the user and others nearby:

1. Do not lean on the cart or allow the cart to support your body weight. This can place undue stress on the height adjustment mechanism, potentially leading to damage or malfunction.
2. Avoid pulling yourself up from a seated position using the cart. Using the cart as an aid to stand can exert excessive force on components not designed to bear such loads.
3. Do not stand or kneel on the cart. The cart is not designed to withstand such forces, which could compromise its structural integrity and lead to potential hazards.
4. Never force the cart down. If the height adjustment lever is stiff or difficult to operate, do not force it down; continuing to apply force may cause permanent damage. Discontinue using the cart and contact Parity Medical on 0151 343 0500 to report the issue and arrange for an inspection or repair.

Overstretch of mains cables

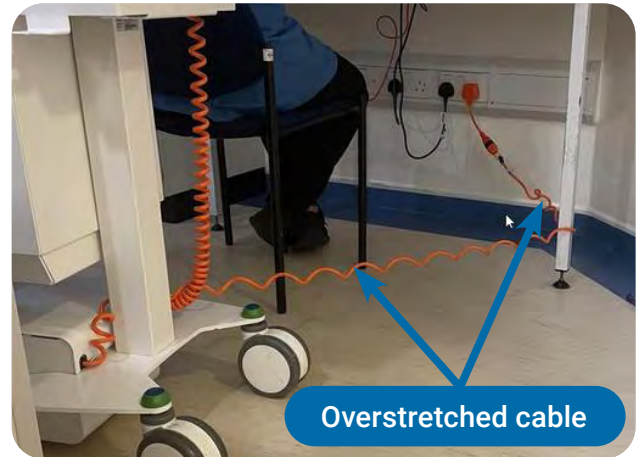


Take care not to overstretch the mains cables. This can damage the cable and cause tripping/injury hazards to nearby people.

Damaged mains cables that are a result of overstretching are one of the most frequent reasons that customers contact Parity Medical's customer services team.

To prevent overstretching the mains cable, move the cart closer to the plug socket and avoid wrapping it around other furniture.

The picture shown on the right is an example of what not to do!



Customer support

If you're experiencing issues of which the solution cannot be found within this user guide—or if you're unsure about anything—please contact us directly on 0151 343 0500 or raise a support ticket with our customer support team at <https://www.paritymedical.com/customer-services>.

Cart warranty and specifications

Cart warranty information

Our carts come with a 5-year warranty as standard. Please note that the cart's orange power cable is covered under separate warranty, which is valid for 1 year.

Performing any repairs or modifications which are not listed in this user guide will invalidate the warranty.

Cart specifications

Height extended	1120 mm (to top of work surface)
Height compressed	766 mm (to top of work surface)
Height adjustment difference	354 mm
Work surface	539 mm (w) x 598 mm (d)
Storage shelf dimensions	445 mm (w) x 225 mm (d) x 80 mm (h)
Footprint	570 mm diameter (caster and stud centres)
Net weight (cart base only)	22.7 kg

Weight capacities

Maximum weight held	Monitor mast (80x40 profile)	18.1 kg
	Work surface	5 kg
	Slide-out mouse tray	1.5 kg

Electrical specifications

AC input and output power (contact Parity Medical for guidance if using outside of the UK)	Wall AC input range	100 to 250VAC, 50/60Hz
	Inverter output power (powers PC and accessories)	200W maximum

This page has been left intentionally blank.

EconoLite




Thank you for choosing to use a Parity Medical solution.
If you have any further questions or require clarification on maintaining
or operating this product, please contact us for further assistance.
Our contact details are provided below.



Port Causeway, Wirral International Business Park, Bromborough, Wirral, CH62 4TP

 www.paritymedical.com

 +44 (0)151 343 0500

 enquiries@paritymedical.com