

Evie

Your go-to workstation – powered, upgradeable & future-ready



 LiFePO4 battery

 Electric height adjustment

This cart is designed to be used with different computers and devices. Our medical-grade Infinity all-in-one PC is shown on the cart above and features:

- A large, intuitive touchscreen.
- Dual hot-swappable batteries for 24/7 constant power.
- Powerful CPU, ultra-fast SSD and up to 64GB system memory.
- Unique battery management software with remote monitoring.
- Front panel is IP65 rated for protection from water and dust.
- 3-year warranty.

For more info on our Infinity all-in-one PCs or to enquire about a cart bundle package, please get in touch with our sales team, who will be happy to help. Our contact details are below.

Features

A height-adjustable cart with a range of user-friendly features, Evie offers electric height adjustment and a unique, ergonomic design for accessing patient information at the point of care.

- ✓ Electric height adjustment to change the cart's height at the touch of a button.
- ✓ Retractable keyboard conveniently tucks out of the way during medication prep and dispensing.
- ✓ Can be configured to allow for the addition of a range of accessories.
- ✓ Work surface is durable and resistant to hospital cleaning agents.

Benefits

- Small footprint makes the cart easy to position in busy bays.
- Ergonomic workstation design brings the screen and keyboard closer to the user for a more comfortable working experience, with independent height adjustment for your monitor.
- Conveniently placed grab handles at the side of the cart provide an unobscured view when moving the cart to a new area.
- The wider work surface design offers protection from damage for your screen while being moved to a new area.
- LED battery gauge at front of cart provides an at-a-glance view of battery power status from across the room.
- Easily accessible PC enclosure and cable management.
- Up to two optional side rails provide versatility for mounting a range of accessories, such as label printers, barcode scanners, and sharps bins.
- Designed for infection control and ease of cleaning.
- Comprehensive 5-year cart warranty.

Areas of use

Evie is ideal for providing access to electronic patient records or medication notes in areas such as:

- A&E / ED
- ICU
- Theatres
- Wards

Compatible with



Infinity
all-in-one PC



Micro
PC



Laptop

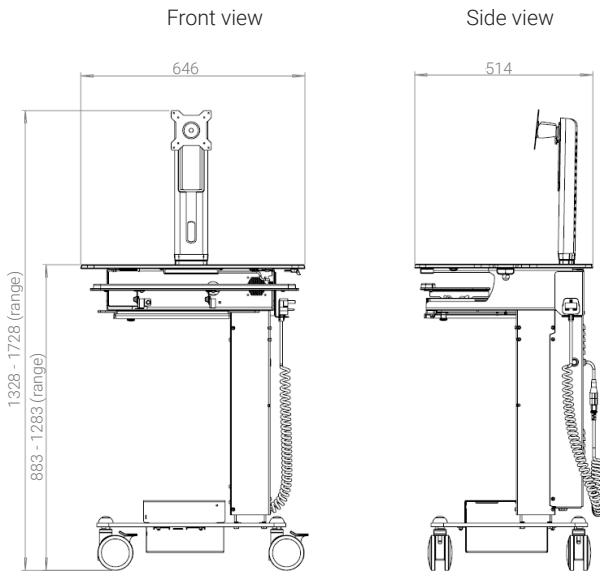


Dual
screens

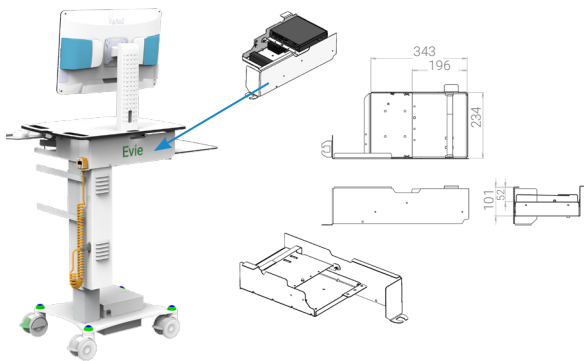
Evie

Your go-to workstation – powered, upgradeable, future-ready

Drawings



PC caddy tray location and dimensions



Main specifications[†]

Work surface height (extended)	1283 mm
Work surface height (compressed)	883 mm
Work surface dimensions	646 mm (width) x 514 mm (depth)
Weight (cart base only)	57 kg
Weight (max weight possible)	74 kg
PC caddy dimensions	343 mm (width) x 234 mm (depth) x 101 mm (height)
PC shelf dimensions	196 mm (width) x 234 mm (depth) x 52 mm (height)

[†] Carts with a dual screen configuration have different dimensions—let us know if you'd like to receive our dual screen cart specification sheet.

Approved cleaning solutions

- Quaternary ammonium chloride compounds (such as AirX109)
- Bleach-Household strength (1:10 minimum dilution strength)
- Ethyl or Isopropyl alcohol-70%
- Hydrogen Peroxide
- Phenolic disinfectants (such as Lysol, WexCide)
- Ovation
- Fantastic
- Formula 409
- 1.6% Aqueous Ammonia
- "Green Soap" USP (United States Pharmacopoeia)
- Clinell Wipes
- Chlor Clean



Direct purchase



Made in the UK



Project management



Device configuration



Phased delivery



Instant support

Common accessories



Printer



Scanner



Medical keyboard & mouse

Version 1.3

