

# Genna

Made for end-users - reliable power, electric height adjustment & secure storage



LiFePO4 battery

Electric height adjustment

This cart is designed to be used with different computers and devices. Our medical-grade Infinity all-in-one PC is shown on the cart above and features:

- A large, intuitive touchscreen.
- Dual hot-swappable batteries for 24/7 constant power.
- Powerful CPU, ultra-fast SSD and up to 64GB system memory.
- Unique battery management software with remote monitoring.
- Front panel is IP65 rated for protection from water and dust.
- 3-year warranty.

For more info on our Infinity all-in-one PCs or to enquire about a cart bundle package, please get in touch with our sales team, who will be happy to help. Our contact details are below.

## Features

An electric height-adjustable cart with a generous storage capacity, a large work surface for medicines prep, and a unique, ergonomic design to enhance accessibility to patient information and IT hardware.

- ✓ Electric height adjustment to change height at the touch of a button, with independent height adjustment for your monitor.
- ✓ Secure, organised storage with up to five drawers reduces the need for restocking. Digi, keyed, and RFID lock options are available.
- ✓ Integrated bottle drawer allows for up to six 500ml bottles of liquid medication to be stored separately on two levels.
- ✓ Retractable keyboard conveniently tucks out of the way during medication prep and dispensing.
- ✓ Work surface is durable and resistant to hospital cleaning agents.

## Benefits

- Small footprint makes the cart easy to position in busy bays.
- Large work surface and slide out tray provide ample medication preparation space.
- Conveniently placed grab handles at the side of the cart provide an unobscured view when moving the cart to a new area.
- The wider work surface design offers protection from damage for your screen while being moved to a new area.
- LED battery gauge at front of cart provides an at-a-glance view of battery power status from across the room.
- Easily accessible PC enclosure and cable management.
- Up to two optional side rails provide versatility for mounting a range of accessories, such as label printers, barcode scanners, and sharps bins.
- Designed for infection control and ease of cleaning.
- Comprehensive 5-year cart warranty.

## Areas of use

Genna is ideal for providing access to electronic patient records as well as secure access to medication and supplies in areas such as:

- A&E / ED
- ICU
- Theatres
- Wards

## Compatible with



Infinity all-in-one PC



Micro PC



Laptop

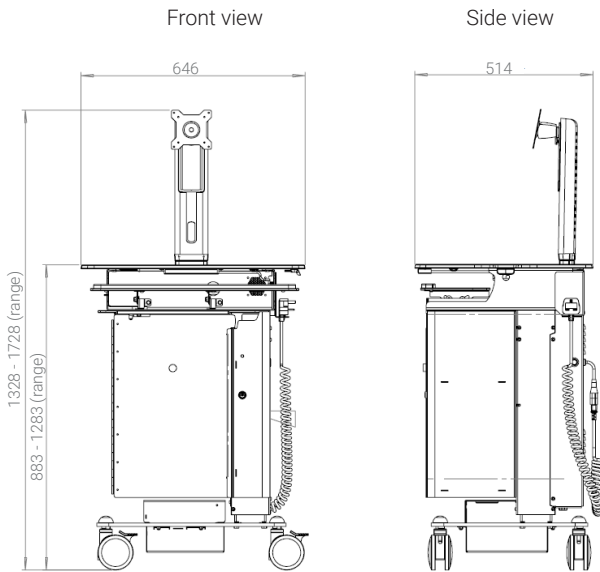


Dual screens

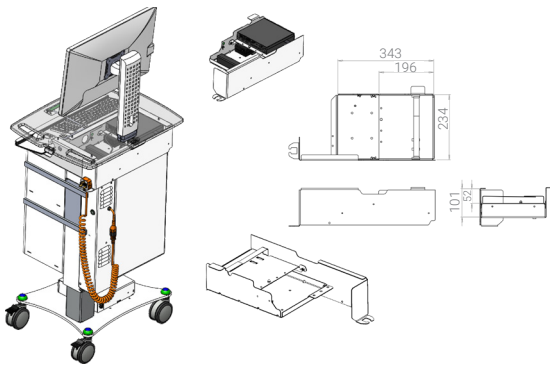
# Genna

Made for end-users - reliable power, electric height adjustment & secure storage

## Drawings



PC caddy tray location and dimensions



## Main specifications<sup>†</sup>

Work surface height (extended)	1283 mm
Work surface height (compressed)	883 mm
Work surface dimensions	646 mm (width) x 514 mm (depth)
Storage capacity	Up to 5 drawers 2x dedicated bottle storage shelves
Weight (cart base only)	74.6 kg
Weight (max weight possible)	91.6 kg
PC caddy dimensions	343 mm (width) x 234 mm (depth) x 101 mm (height)
PC shelf dimensions	196 mm (width) x 234 mm (depth) x 52 mm (height)

<sup>†</sup> Carts with a dual screen configuration have different dimensions—let us know if you'd like to receive our dual screen cart specification sheet.

## Approved cleaning solutions

- Quaternary ammonium chloride compounds (such as AirX109)
- Bleach-Household strength (1:10 minimum dilution strength)
- Ethyl or Isopropyl alcohol-70%
- Hydrogen Peroxide
- Phenolic disinfectants (such as Lysol, WexCide)
- Ovation
- Fantastic
- Formula 409
- 1.6% Aqueous Ammonia
- "Green Soap" USP (United States Pharmacopoeia)
- Clinell Wipes
- Chlor Clean



Direct purchase



Device configuration



Made in the UK



Phased delivery



Project management



Instant support

## Common accessories



Printer



Scanner



Medical keyboard & mouse

Version 1.2

