

MedRound

Height-adjustable, workflow-optimised, high-capacity storage



LiFePO4 battery

Electric height adjustment



SmartPower
option
available

This cart is designed to be used with different computers and devices. Our medical-grade Infinity all-in-one PC is shown on the cart above and features:

- A large, intuitive touchscreen.
- Dual hot-swappable batteries for 24/7 constant power.
- Powerful CPU, ultra-fast SSD and up to 64GB system memory.
- Unique battery management software with remote monitoring.
- Front panel is IP65 rated for protection from water and dust.
- 3-year warranty.

For more info on our Infinity all-in-one PCs or to enquire about a cart bundle package, please get in touch with our sales team, who will be happy to help. Our contact details are below.

Features

The MedRound is a large capacity, height adjustable dispensing solution. It is designed to help you to minimise errors, enhance workflow, and reduce bending while accessing EPR at the point of care.

- ✓ Electric height adjustment option (with SmartPower).
- ✓ Secure, organised storage with up to eight drawers reduces the need for restocking and enhances workflow.
- ✓ Can be configured to allow for the addition of a range of accessory configurations.
- ✓ Work surface is durable and resistant to hospital cleaning agents.

Benefits

- Integrated central bottle storage compartment for safer dispensing of liquid medication.
- Three lockable compartments are easy to access quickly when needed. Digi, keyed, and RFID lock options are available.
- Conveniently placed grab handles allow for easy movement.
- Large castors provide smooth and stable movement even across uneven surfaces, such as thresholds.
- An ergonomically designed base allows the user to find their perfect standing or seated position.
- Height adjustable to suit any user, which also helps to bring each drawer within reach to reduce bending and help you to dispense more comfortably.
- Large work surface for preparing drugs and paper documents.
- Magnetic doors attach to the sides of the cart when open for increased safety.
- Comprehensive 5-year cart warranty.

Areas of use

The MedRound is ideal for providing access to electronic patient records as well as secure access to medication in areas such as:

- A&E / ED
- ICU
- Theatres
- Wards

Compatible with



Dual-screen
configuration



Infinity
all-in-one PC



Laptop



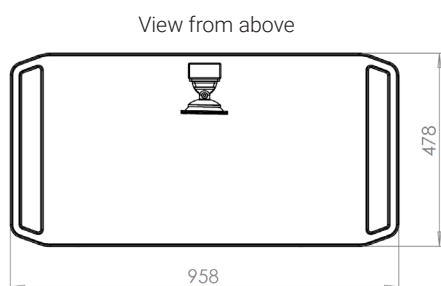
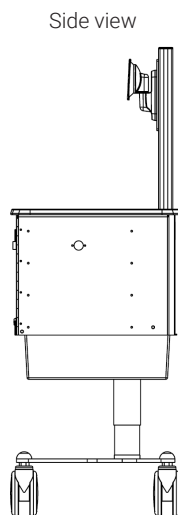
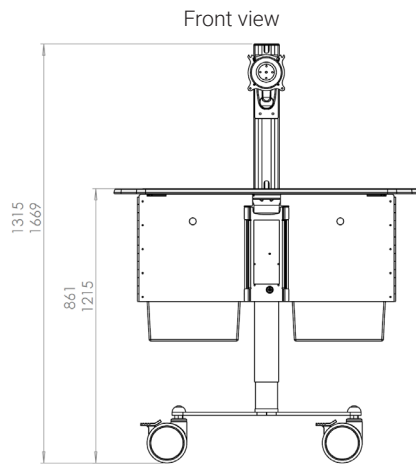
Micro
PC*

*Requires SmartPower

MedRound

Height-adjustable, workflow-optimised, high-capacity storage

Drawings



Main specifications

Work surface height (extended)	1215 mm (unpowered) 1228 mm (powered)
Work surface height (compressed)	861 mm (unpowered) 858 mm (powered)
Weight (base cart only)	54 kg
Weight (base cart - powered)	68 kg
Work surface dimensions	958 mm (width) x 478 mm (depth)
Cart base dimensions	593 mm (width) x 443 mm (depth)

Approved cleaning solutions

- Quaternary ammonium chloride compounds (such as AirX109)
- Bleach-Household strength (1:10 minimum dilution strength)
- Ethyl or Isopropyl alcohol-70%
- Hydrogen Peroxide
- Phenolic disinfectants (such as Lysol, WexCide)
- Ovation
- Fantastic
- Formula 409
- 1.6% Aqueous Ammonia
- "Green Soap" USP (United States Pharmacopoeia)
- Clinell Wipes
- Chlor Clean



Direct purchase



Made in the UK



Project management



Device configuration



Phased delivery



Instant support

Common accessories



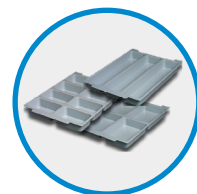
Printer



Scanner



Medical keyboard & mouse



Drawer inserts

Version 2.1

