

# WardRound

Maximised workspace for efficient, collaborative ward rounds



LiFePO4 battery

Electric height adjustment

SmartPower  
option  
available

This cart is designed to be used with different computers and devices. Our medical-grade Infinity all-in-one PC is shown on the cart above and features:

- A large, intuitive touchscreen.
- Dual hot-swappable batteries for 24/7 constant power.
- Powerful CPU, ultra-fast SSD and up to 64GB system memory.
- Unique battery management software with remote monitoring.
- Front panel is IP65 rated for protection from water and dust.
- 3-year warranty.

For more info on our Infinity all-in-one PCs or to enquire about a cart bundle package, please get in touch with our sales team, who will be happy to help. Our contact details are below.

## Features

The WardRound is our height adjustable mobile cart with a large work surface. With no storage, it's lightweight and easy to move. It can perfectly positioned at the end of a patient's bed and used for electronic charting, often paired with a large screen. It can also be used as a dual screen workstation.

- ✓ Simple hand-operated height adjustment.
- ✓ Can be paired with a large screen and used as an electronic charting cart.
- ✓ Can safely accommodate dual screens to help increase workflow efficiency and have more information available at a glance.
- ✓ Can be configured to allow for the addition of a range of accessories.
- ✓ Work surface is durable and resistant to hospital cleaning agents.

## Benefits

- Lightweight and easy to manoeuvre.
- Conveniently placed grab handles allow for easy movement.
- Large castors provide smooth and stable movement even across uneven surfaces, such as thresholds.
- Designed for infection control and ease of cleaning.
- An ergonomically designed base allows the user to find their perfect standing or seated position.
- Height adjustable to suit any user.
- Large work surface for preparing drugs and paper documents.
- Comprehensive 5-year cart warranty.

## Areas of use

The WardRound is ideal for providing access to electronic patient records in areas such as:

- A&E / ED
- Theatres
- Wards

## Compatible with



Dual-screen  
configuration



Infinity  
all-in-one PC



Laptop



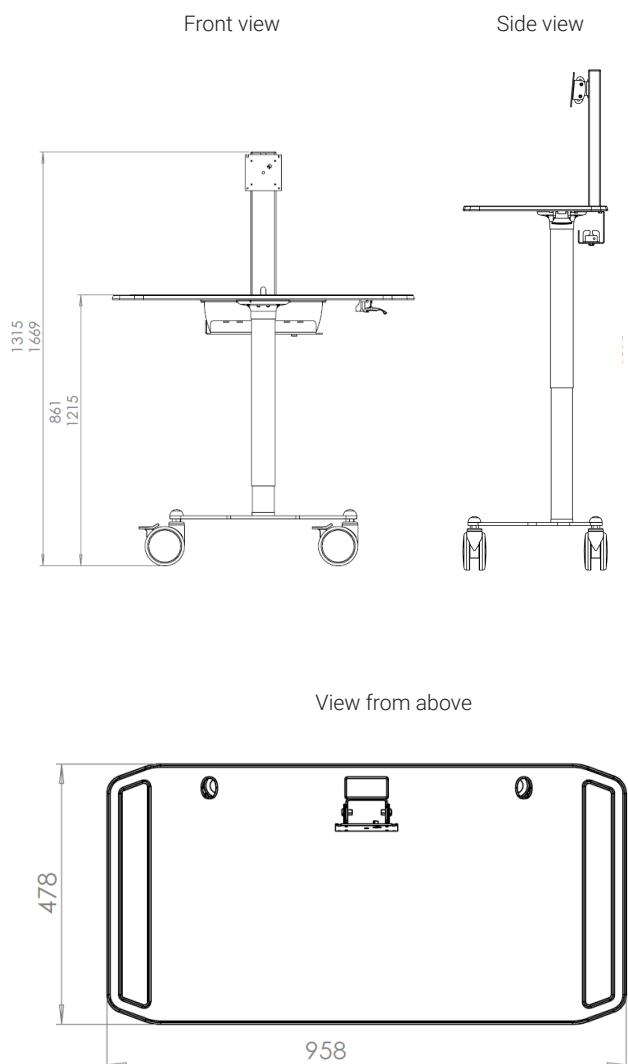
Micro  
PC\*

\*Requires SmartPower

# WardRound

Maximised workspace for efficient, collaborative ward rounds

## Drawings



## Main specifications

Work surface height (extended)	1215 mm (unpowered) 1223 mm (powered)
Work surface height (compressed)	861 mm (unpowered) 869 mm (powered)
Weight (base cart only)	43 kg
Weight (base cart with SmartPower)	39 kg
Work surface dimensions	958 mm (width) x 478 mm (depth)
Unpowered cart base dimensions	630 mm (width) x 576 mm (depth)
Powered cart base dimensions	626 mm (width) x 545 mm (depth)

## Approved cleaning solutions

- Quaternary ammonium chloride compounds (such as AirX109)
- Bleach-Household strength (1:10 minimum dilution strength)
- Ethyl or Isopropyl alcohol-70%
- Hydrogen Peroxide
- Phenolic disinfectants (such as Lysol, WexCide)
- Ovation
- Fantastic
- Formula 409
- 1.6% Aqueous Ammonia
- "Green Soap" USP (United States Pharmacopoeia)
- Clinell Wipes
- Chlor Clean



Direct purchase



Made in the UK



Project management



Device configuration



Phased delivery



Instant support

## Common accessories



Printer



Scanner



Medical keyboard & mouse

Version 2.1

